

VC58EP

650TVL WDR True Day/Night Box Camera



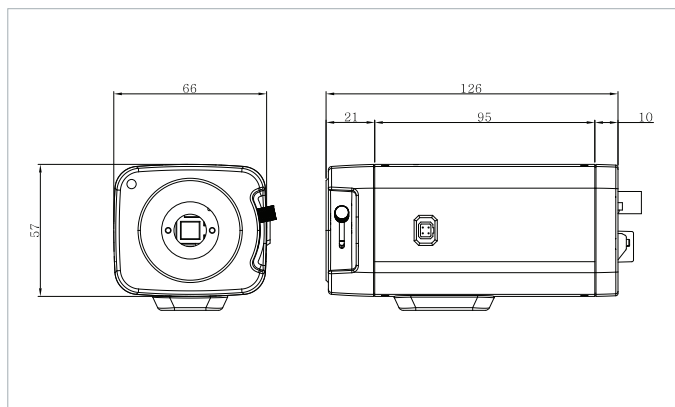
Special Features

- 1/3" Sony 960H Double Scan Super HAD CCDII
- Super high resolution of 650TVL(Day)/700TVL(Night)
- Accurate Day/Night Switching over by using lens built-in CDS sensor to Reflect the lux level of the subject
- C/CS and Flange-back focus adjustment lever built-in

General Features

- Super WDR(WDR+ATR)
- 2D/3D DNR (Digital Noise Reduction)
- Greatly enhanced sensitivity of 0.00001 Lux
- Motion Detection
- Privacy Mosaic
- Digital zoom(1.5x~4x)
- Digital Pan/Tilt
- DIS(Digital Image Stabilizer)
- Digital Slow Shutter(DSS)
- RS-485 Interface(Pelco-D)
- 12VDC, 12VDC/24VAC

Dimension



MODEL		VC58EP
Power source		DC12V / DC12V / AC24V 205mA(Max) / 265mA(Max) / 115mA(Max)
CCD	Image sensor	1/3" Double Scan Super HAD CCD II (SONY)
	Total Pixel	NTSC: 1028(H)X508(V)=520K Pixels PAL: 1028(H)X596(V)=610K Pixels
	Effective Pixels	NTSC: 976(H)X494(V) PAL: 976(H)X582(V)
Sync	Scanning system	NTSC 525 Lines PAL 625 Lines 2:1 Interlaced
	Synchronization	Internal
O.S,D	Frequency	NTSC : Horizontal : 15.743KHz / Vertical : 59.94KHz PAL : Horizontal : 15.625KHz / Vertical : 50KHz
		English
Electrical	WDR	54dB(OFF/AUTO1/AUTO2)
	BLC	ON/OFF
	Resolution	Color : 650TV Lines, B/W : 700TV Lines
	S/N Ratio	50dB(AGC OFF, Weight ON)
	Video output	1.0Vp-p Composite 75 Ohms
	Min. Illumination	0.00001Lux(DSS), 0.05Lux(DSS OFF) at 1.2
	White Balance	ATW/PUSH/HOLD/USER/ 1,800°K ~ 10,500°K
	Shutter Speed	AUTO/MANUAL(1/60 ~1/100,000 NTSC, 1/50 ~ 1/100,000 PAL)
	DSS	AUTO/OFF(Selectable limit x2 ~ x512)
	Gain Control	OFF/12dB/18dB/24dB/30dB/36dB/42dB/48dB/54 dB/60dB
	DNR	2D/3D DNR
	Motion Detection	ON / OFF(4 Zone)
	Privacy	ON / OFF(4 Zone)
	Reversal	NOR/MIR/VER/FLIP
	Sharpness	Level Adjustable(1~15)
Iris Control	DC / Manual	
Day & Night	COLOR / BW / AUTO	
Digital Zoom	ON / OFF (Digital Pan/Tilt)	
DIS	DIS(Digital Image Stabilizer) ON / OFF	
LENS	C / CS Mount	
Operation Temperature/Humidity	-10°C to +50°C / 30% to 80% RH	
Measurement(mm)	66(W) x 57(V) x 126.5(L)	
Weight(Approx. g)	550	